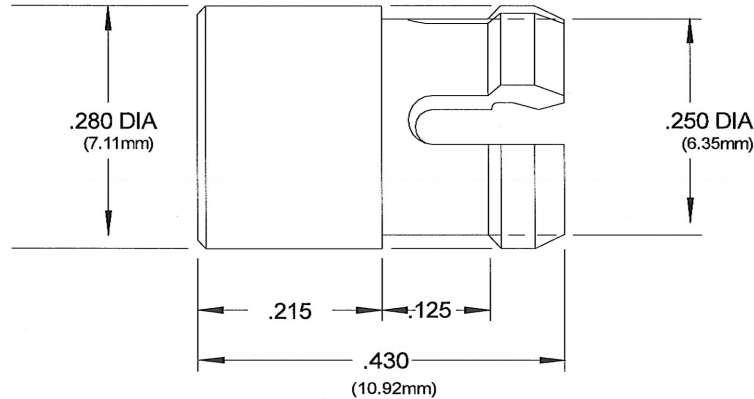
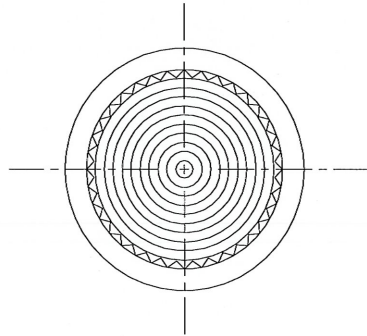




ACTUAL SIZE



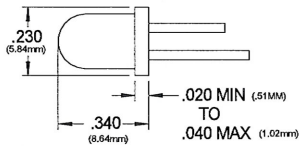
APPROVAL

[Handwritten signature]

DATE

8/1/09

RECOMMENDED LED
SIZE T-1 3/4 (5MM)



ORDERING CODES

MODEL CLF 280 RTP

COLOR _____

RTP Red Transparent BTP Blue Transparent
 ATP Amber Transparent YTP Yellow Transparent
 GTP Green Transparent CTP Clear Transparent
 GLO White Translucent

NOTES:

MATERIAL: Polycarbonate
 GLO Series - Polycarbonate/Acrylic blend

DESIGN: High profile lens using Fresnel rings.

MOUNTING: Mounts through the front of panel.
 Mounting holes should be deburred but not chamfered.
 Hole size .250" ±.002 (6.35mm) on 3/8" centers
 Panel thickness 1/16" to 1/8".

For panels less than 3/16", spacer SPC 125 is available.

U.S. & Foreign Pat. Issued & Pend.

TOLERANCES (EXCEPT AS NOTED)	REVISIONS			
	NO.	DESCRIPTION	DATE	BY
DECIMAL ±.010	1	Add GLO Series	1/6/09	JG
ANGLE ± 30'	2			
DIAMETER .003 TIR	3			
RADI .008 Max	4			
	5			

VCC P/N: CLIPLITE® CLF 280

VCC VISUAL COMMUNICATIONS COMPANY, INC.
 190 Bosstick Blvd, Ste. 101 San Marcos, California 92069 U.S.A.
 Phone: (760) 560-1300; Fax: (760) 560-1301; e-mail: vcpsales@vcclite.com

DRAWN BY **JMS**

DATE 10/25/85

DRAWING NO.

REV.

CHK'D

SCALE 5X

CLF280A

1